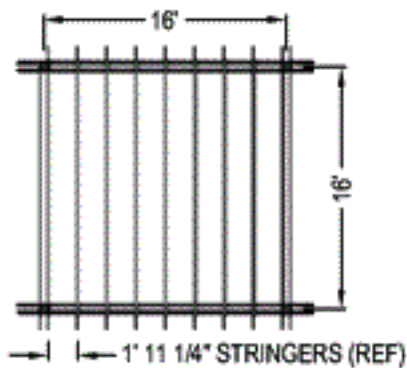
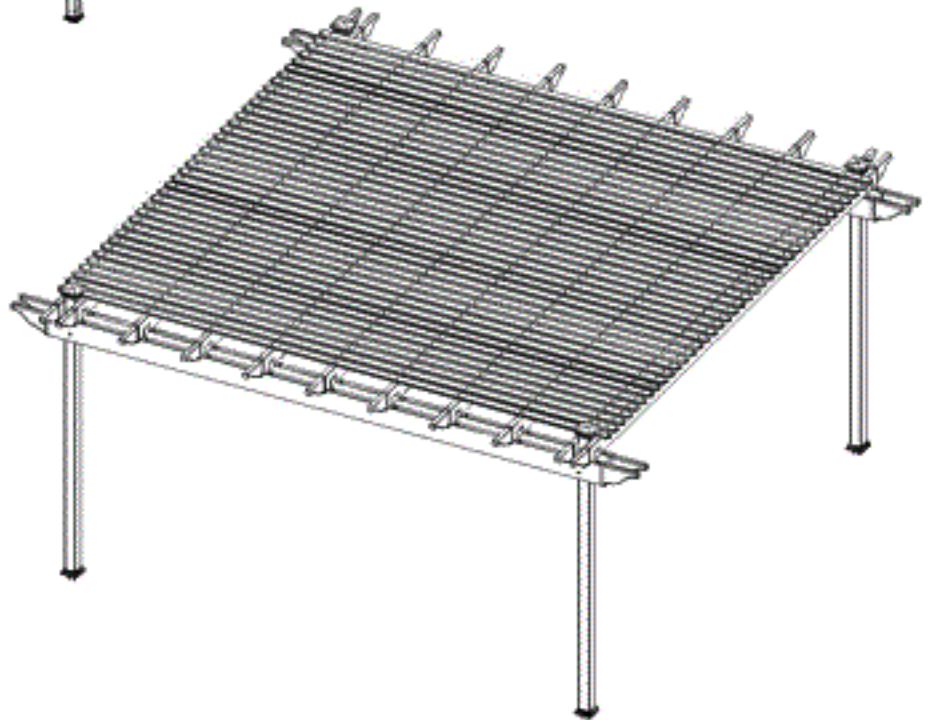


SYSTEM FRAME ASSEMBLY



SYSTEM POST SPACING



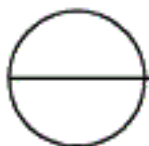
SYSTEM PURLIN ASSEMBLY

STRUCTURAL NOTES:

- SYSTEM DESIGN MEETS FLORIDA BUILDING CODE (FBC 2007), ASCE 7-05, MINIMUM DESIGN LOADS FOR BUILDINGS AND OTHER STRUCTURES.
- DESIGN IS BASED ON 140 MPH WINDS, EXPOSURE 'C'.
- STRUCTURE WILL WITHSTAND SNOW LOADS AT 4\".
- VERIFY SOIL BEARING 1000 PSF (MINIMUM).
- WOOD POST TO BE PRESSURE TREATED (AWPI STANDARDS).

NOTES:

1. INSTALLATION TO BE COMPLETED IN ACCORDANCE WITH MANUFACTURER'S SPECIFICATIONS.
2. DO NOT SCALE DRAWING.
3. THIS DRAWING IS INTENDED FOR USE BY ARCHITECTS, ENGINEERS, CONTRACTORS, CONSULTANTS AND DESIGN PROFESSIONALS FOR PLANNING PURPOSES ONLY. THIS DRAWING MAY NOT BE USED FOR CONSTRUCTION.
4. ALL INFORMATION CONTAINED HEREIN WAS CURRENT AT THE TIME OF DEVELOPMENT BUT MUST BE REVIEWED AND APPROVED BY THE PRODUCT MANUFACTURER TO BE CONSIDERED ACCURATE.
5. CONTRACTOR'S NOTE: FOR PRODUCT AND COMPANY INFORMATION VISIT www.CADdetails.com/info AND ENTER REFERENCE NUMBER 5010-100.



STRUCTURAL ASSEMBLY DETAIL

FREESTANDING DOUBLE-BEAM PERGOLAS

