



## Tuscany II Pergola

### Manual and Installation Instructions



**Please read these instructions before removing parts from crate**

## Introduction

Thank you for your purchase from The Outdoor GreatRoom Company. The purpose of this manual is to make the installation and assembly simpler. Outdoor GreatRoom company recommends visiting with your local authority for building codes, restrictions, or requirements for this product. **Please read through entire instruction manual before beginning installation.**

This pergola is made of reinforced fiberglass beams with glass-reinforced concrete columns. Made in North America, your new pergola is designed to be sturdy, hassle-free , and requires no routine maintenance.

### **Important:**

- **Anchoring Required—Contact your local authority for details**
- **Read instructions prior to assembly**
- **Assistance is required and we recommend at least 2 people for installation**
- **If you have questions contact the place of purchase**

**Before Beginning, make sure that all components listed on the next page were included with your hardware kit. Contact your dealer if any parts are missing.**


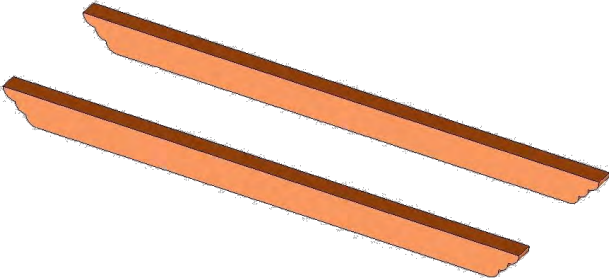
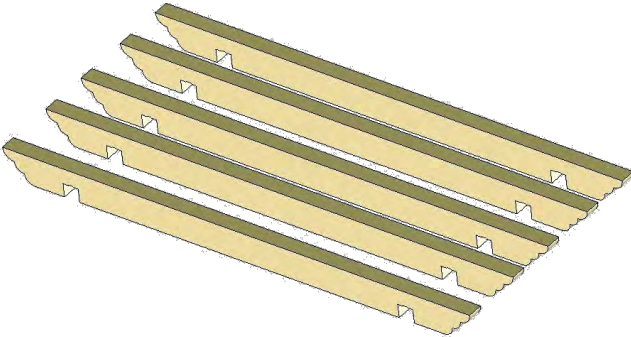
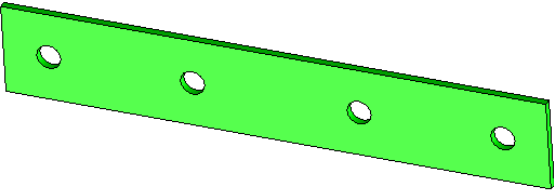
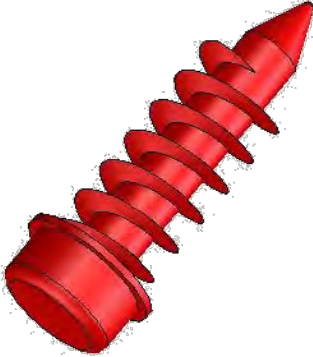
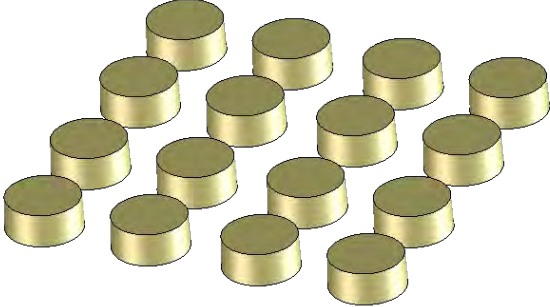
### Tools Required

- Corded or Cordless Drill
- Measuring Tape
- Level
- Step Ladder
- Hammer Drill\*
- Concrete Drill Bit\*
- Concrete Anchors\*

\*Only Required for anchoring to concrete surfaces.

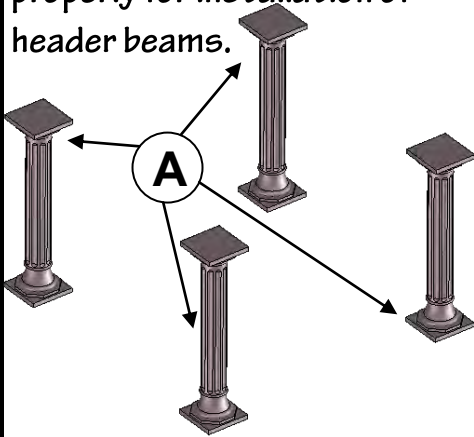
**Disclaimer—The Outdoor GreatRoom Company is not liable for damage caused by weather or misuse**

Assembly Instructions for Tuscany II Pergola

A	Columns X4	B	Header Beams X2	C	Crossbeams X5
					
D	Joint Strips X14	E	#12 Screws X56	F	Anchor Caps X16
					

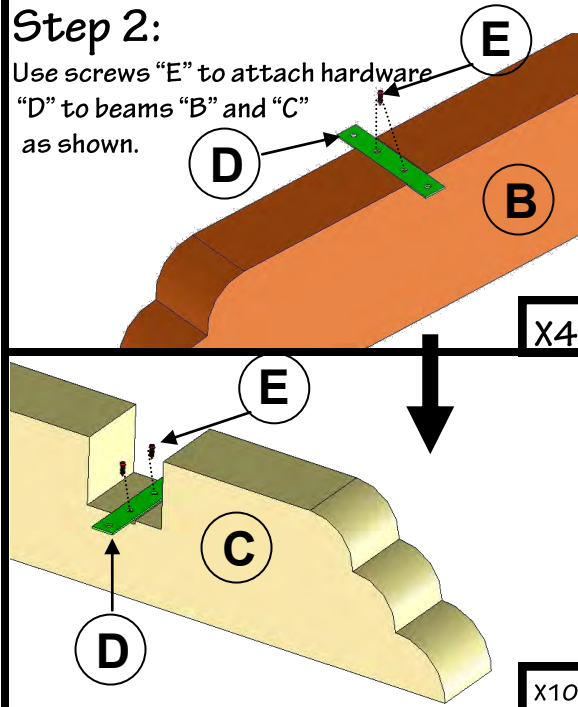
### Step 1:

Loosely bolt columns "A" to surface in their final positions making sure screw holes in tops of columns are lined up properly for installation of header beams.



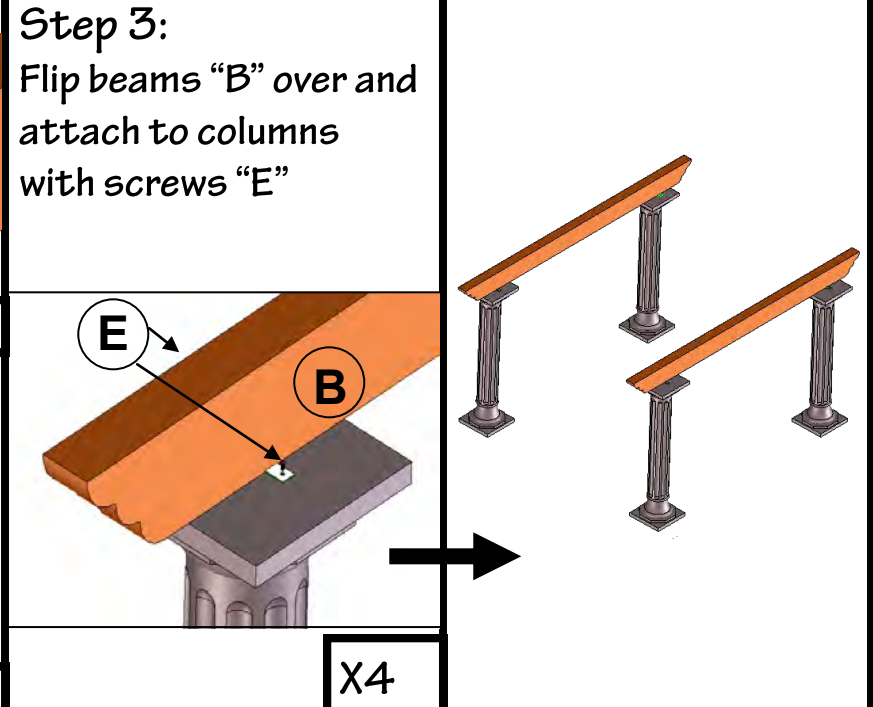
### Step 2:

Use screws "E" to attach hardware "D" to beams "B" and "C" as shown.



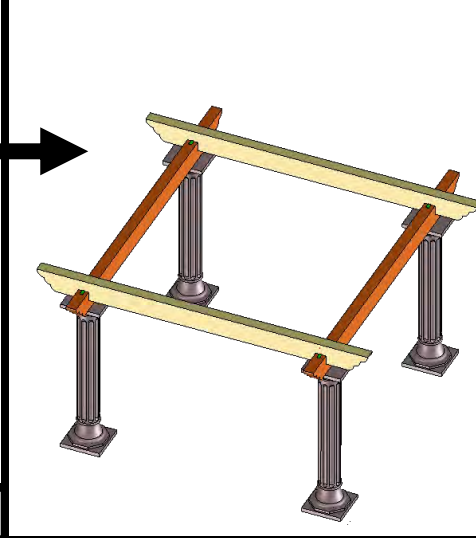
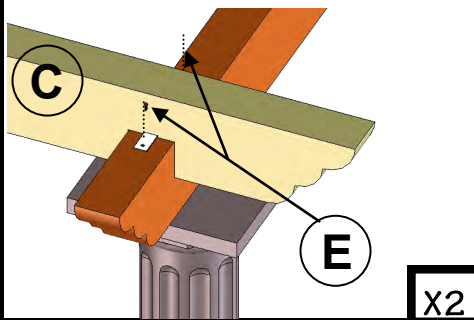
### Step 3:

Flip beams "B" over and attach to columns with screws "E"



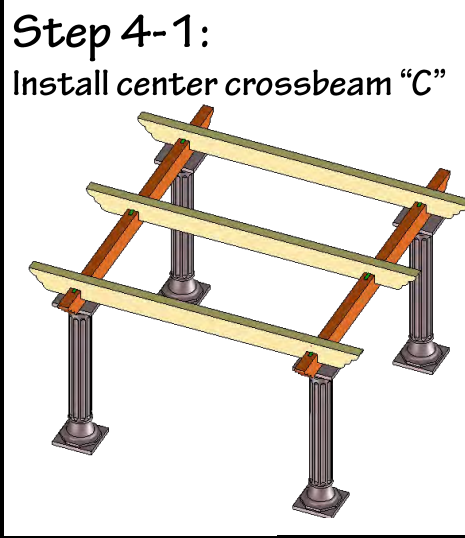
### Step 4:

Install outer crossbeams "C" using joint strips previously installed in Step 2.



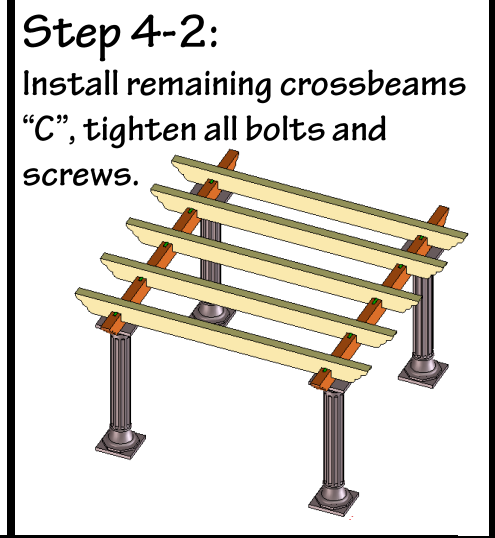
### Step 4-1:

Install center crossbeam "C"



### Step 4-2:

Install remaining crossbeams "C", tighten all bolts and screws.



Your pergola is now fully assembled!



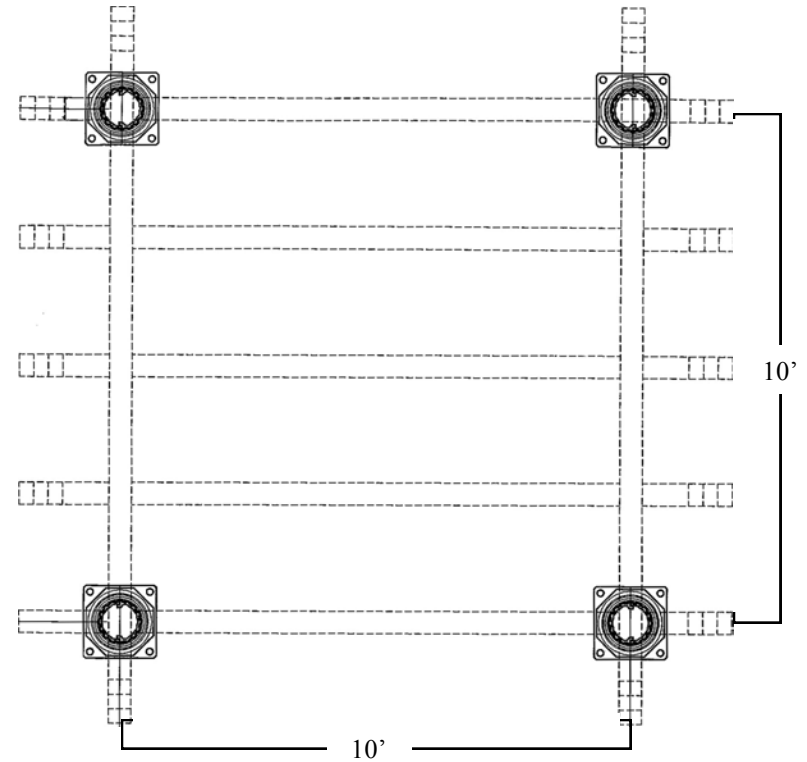
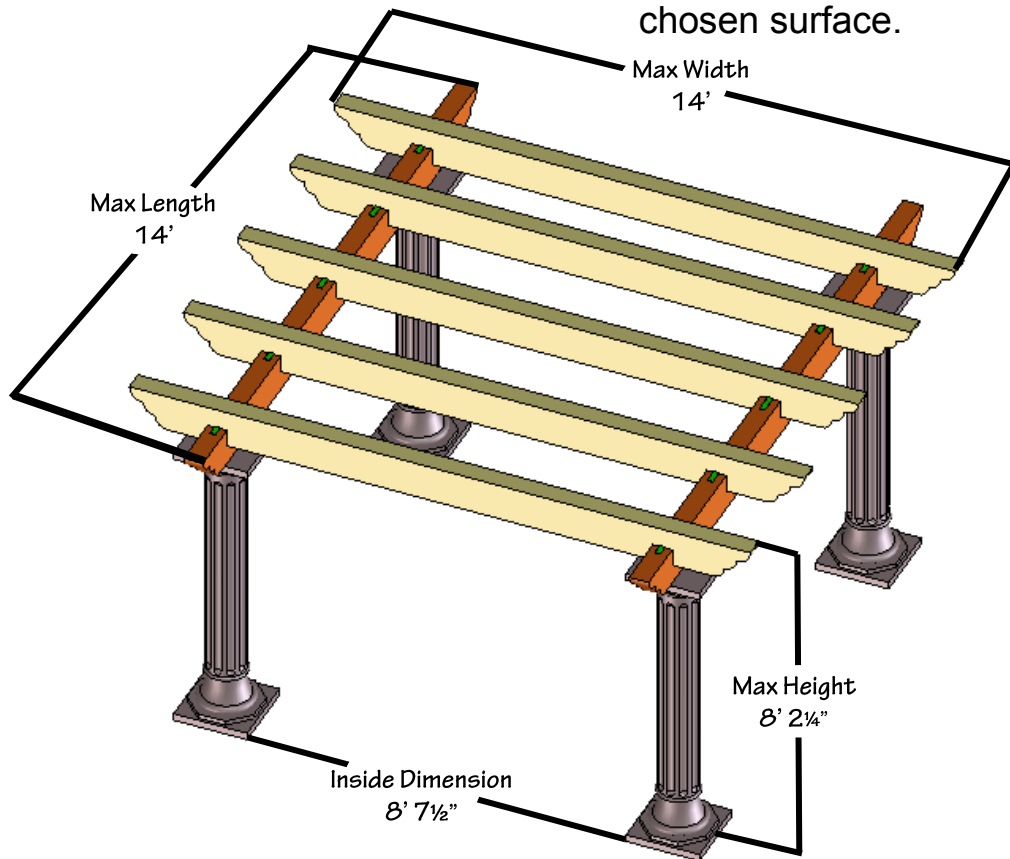
# Dimensional and Post Location Information

## NOTE 1:

Recommended minimum 24" DIA footing. Check local codes for depth minimums. Footing typically 24" minimum depth, 42" for extreme cold climates.

## NOTE 2:

Do not perform final tightening of all bolts until unit is fully assembled, level, and square. After pergola is ***IN POSITION, SQUARED UP, & LEVELED***, anchor posts with masonry bolts, or appropriate method for chosen surface.



(Suggested for installation on lawns with concrete footings. For other surfaces, appropriate mounting methods should be used.)

See next page for detailed concrete anchoring instructions.

# Instructions for Anchoring Tuscany Pergola to Concrete

## Required Materials:

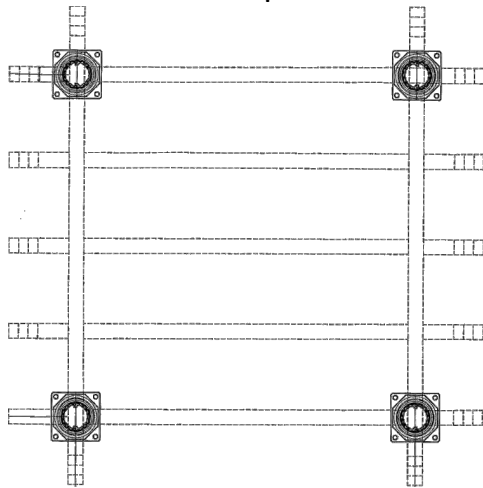
(X16) 3/8" concrete anchors. (Check with local building codes for proper anchor length requirements)

Electric drill suitable for concrete use.

1/2" socket wrench or similar tool.

Silicone adhesive suitable for outdoor use.

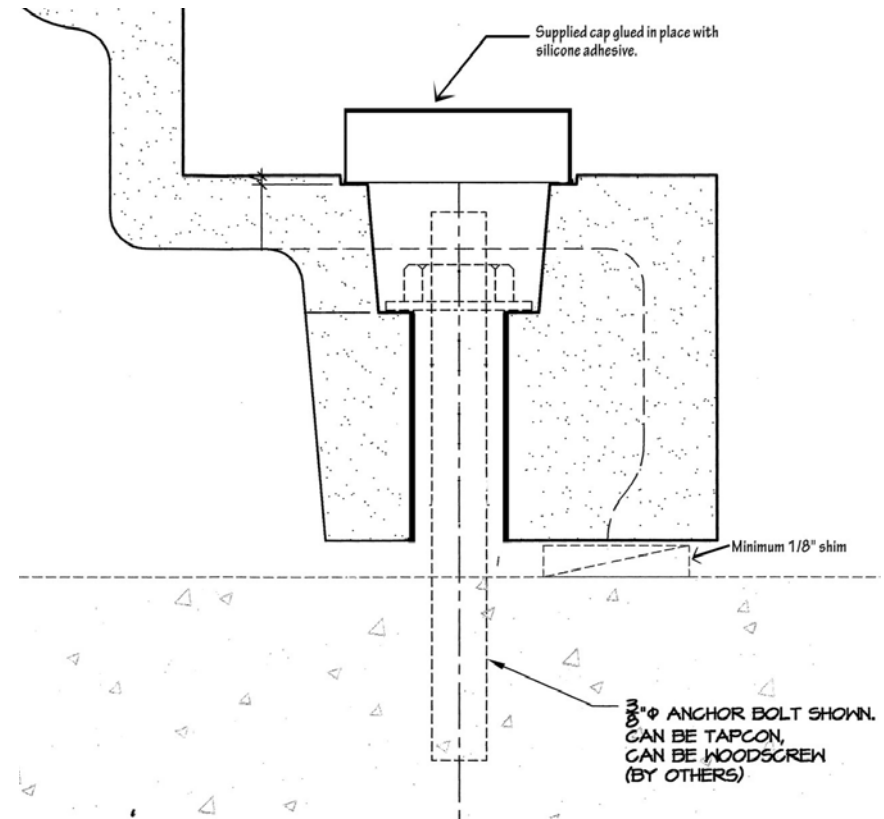
1. Once appropriate positions have been located for all columns and beams you will notice four (4) holes at the base of each column positioned in the orientation shown below



2. Pre-drill all holes with a 3/8" bit suitable for concrete. Pre-drill pavement with a 3/8" bit to a depth adequate for the selected anchor bolt length.

3. As shown, (at right) insert concrete anchors (not supplied) into holes and tighten sufficiently.

Note: Ensure that all columns are shimmed a minimum of 1/8" from pavement to ensure possible water exit.



Once bolts are installed and secured tightly, apply a thin ring of silicone adhesive to the shallow ridge around bolt hole. Place cap in ridge and wipe away any excess silicone. Allow adequate time to dry before exposing to rain or snow.

**Your Tuscany II pergola is now securely anchored!**



## Tuscany II Pergola Warranty Information

Your new Tuscany II pergola is warranted against structural defects for a period of three (3) years from the date of purchase. This does not apply to damage caused by excessive loads such as snow or use of roof as storage. Your Tuscany pergola is warranted against defects in finish and other defects not related to structure for a period of one (1) year from the date of purchase. All metal hardware must be sprayed with a clear lacquer sealer once your pergola is assembled to prevent rust and corrosion.

The Outdoor Greatroom Company extends the following warranty for Outdoor Greatroom outdoor products used in the United States of America or Canada. Dealers and employees of The Outdoor Greatroom Company have no authority to make any warranty or authorize any remedies in addition to or inconsistent with the terms of this warranty. This warranty gives you specific legal rights. You may also have other rights that vary from state to state.

The Outdoor Greatroom Company warrants that this Outdoor Greatroom Outdoor Product (the "Product") will be free from defects in material and workmanship for a period of one (1) year for finish and other non-structural defects and three (3) years from its date of purchase structurally. This warranty is subject to the conditions, exclusions and limitations described below.

This warranty applies only to the original owner of the Product and is non-transferable. The Outdoor Greatroom Company obligation under this warranty does not extend to damages resulting from (1) assembly, operation or maintenance of the Product not in accordance with the Installation/Assembly Instructions, Operating Instructions and the Listing Agency Identification Label furnished with the Product; (2) installation or use which does not comply with local building codes and ordinances; (3) shipping, improper handling, improper operation, abuse, misuse, accident or unworkmanlike repairs; (4) use of fuels other than those specified in the Operating Instructions; (5) Installation or use of components not supplied with the Product or any other components not expressly authorized and approved in writing by The Outdoor Greatroom Company; and/or (6) modification of the Product not expressly authorized and approved in writing by The Outdoor Greatroom Company. Any of the circumstances described in the previous sentence voids this warranty. This warranty is void if the Product or any component has been removed, repaired, or replaced before The Outdoor Greatroom Company has been afforded a reasonable opportunity to inspect the Product.

This warranty is limited to the replacement or repair of defective components or workmanship and The Outdoor Greatroom Company may fully discharge its obligations under this warranty by repairing or replacing, at its discretion, the defective components. The Outdoor Greatroom Company will provide replacement parts at no charge and will pay reasonable and necessary labor and freight costs related to replacing or repairing defective components under this warranty. The maximum amount recoverable under this warranty is limited to the purchase price of the Product and, if The Outdoor Greatroom Company is unable to provide replacement or repair in an expedient and cost-effective manner, The Outdoor Greatroom Company may discharge all obligations under this warranty by refunding the purchase price of the Product.

EXCEPT TO THE EXTENT PROVIDED BY LAW, THE OUTDOOR GREATROOM COMPANY MAKES NO EXPRESS WARRANTIES OTHER THAN THE WARRANTY EXPRESSED HEREIN. THE DURATION OF ANY IMPLIED WARRANTY IS LIMITED TO THE DURATION OF THE WARRANTY SPECIFIED ABOVE. IN NO EVENT SHALL THE OUTDOOR GREATROOM COMPANY BE LIABLE FOR ANY INCIDENTAL OR CONSEQUENTIAL DAMAGES CAUSED BY DEFECTS IN THE PRODUCT. Some states do not allow limitations on how long an implied warranty lasts, or do not allow exclusion or limitation of incidental or consequential damages, so these limitations may not apply to you.

### **To obtain service under this warranty, you must:**

Send written notice of the claimed condition to: The Outdoor Greatroom Company, 2015 Silver Bell Road, #195, Eagan, MN 55122.

Affirm that you are the original owner of the Product.

Provide The Outdoor Greatroom Company reasonable opportunity to investigate the claim, including reasonable opportunity to inspect the Product prior to any repair or replacement work and before the Product or any component of the Product has been removed.

Obtain The Outdoor Greatroom Company's consent to any warranty work before the work is done.