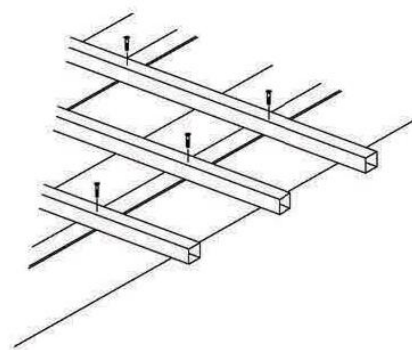


Section 3: Purlin Installation

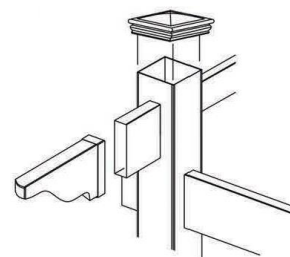
NOTE: The purlin will lay perpendicular to the rafters.

- 1) Start from the back of the pergola and place the first purlin 5" from the 5" post. Space the remaining purlins evenly.
- 2) The purlin overhang should be the same distance from either side of the last rafter. It is helpful to have an additional person to assist with adjusting the purlin overhang.
- 3) Use the #10 x 1 1/2" self-tapping screws and screw caps to secure the purlin to the rafters. Do not over-tighten the screws as this will cause dents in the purlin.

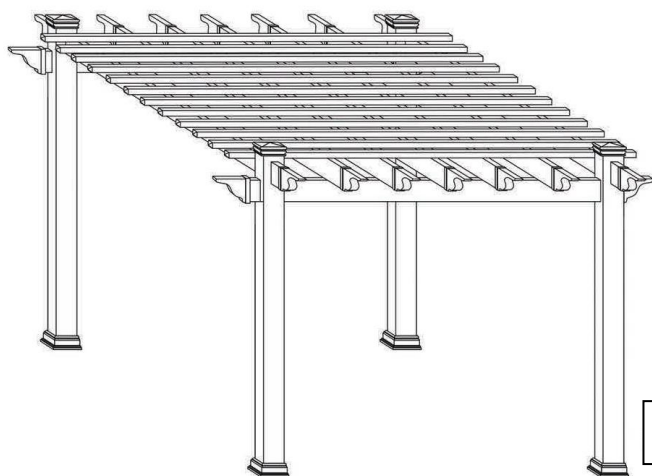


Section 4: Finish Work

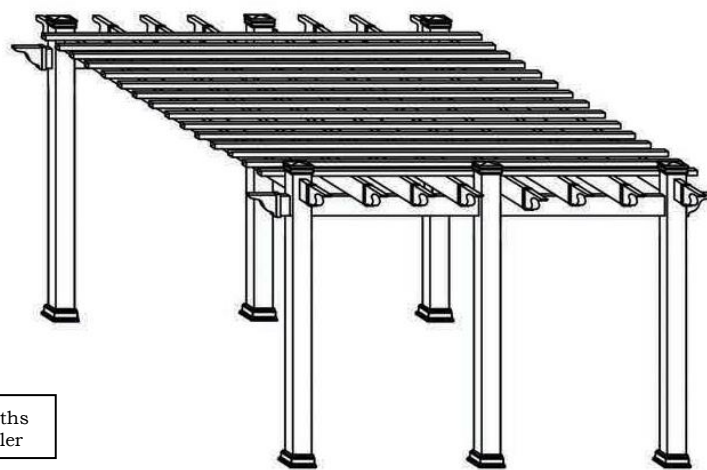
- 1) Place the post caps on the posts. Secure with small beads of vinyl glue.
- 2) Secure the finials onto the headers and rafters with vinyl glue.
- 3) Glue the end caps on the purlin. Use a dab of glue to secure the caps.



Enjoy your new pergola!



12' Widths
or smaller



14' Widths
or wider